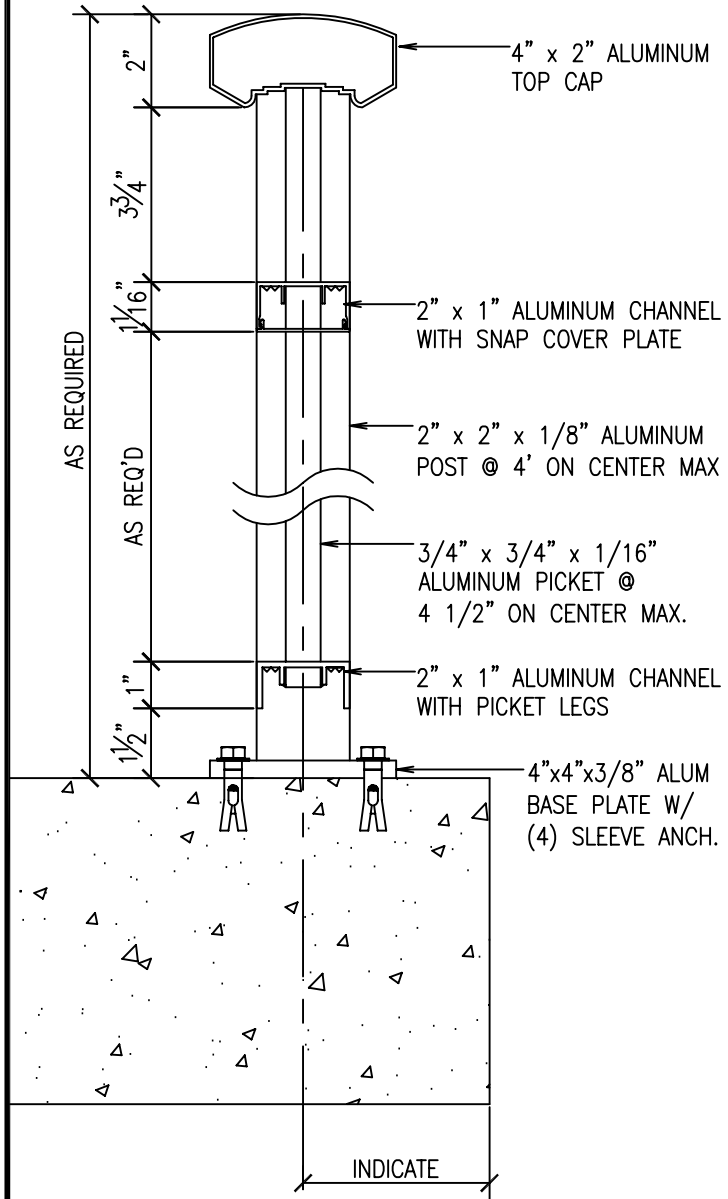


RAIL CATEGORY:
STANDARD PICKET RAIL

RAIL SHOWN:
3-LINE, CORE DRILLED,
FREE STANDING
4" x 2" TOP CAP

DRAWING FILE:
3LC4X2



Architectural Railings & Grilles, Inc.
5912 Shumard Oak Lane
Charlotte, NC 28226
Phone 704-365-5152
Fax 704-365-3742
www.aluminum-rails.com