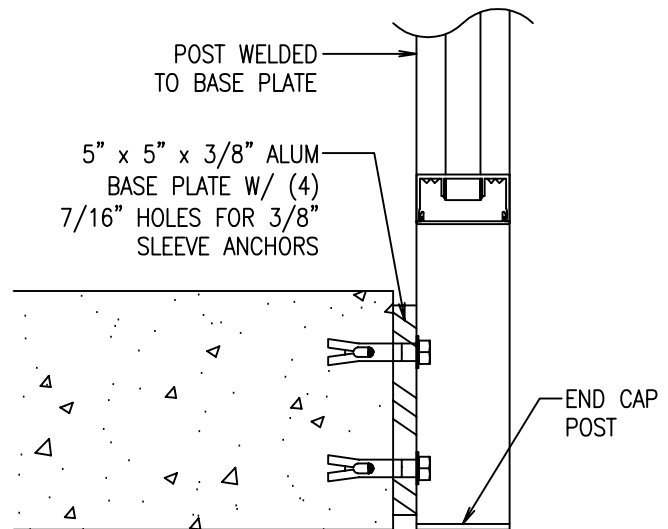
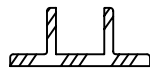
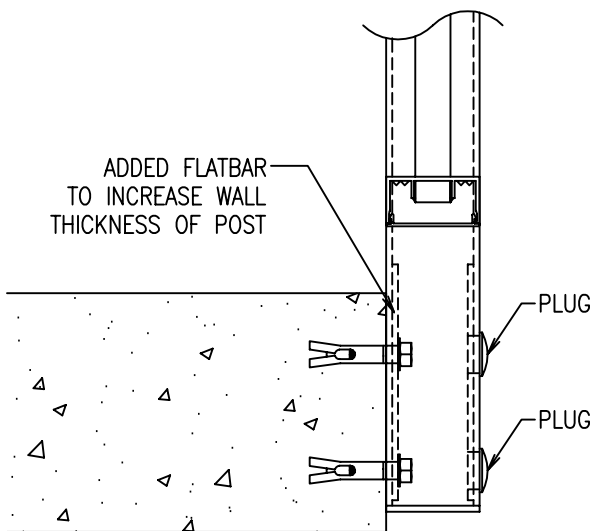


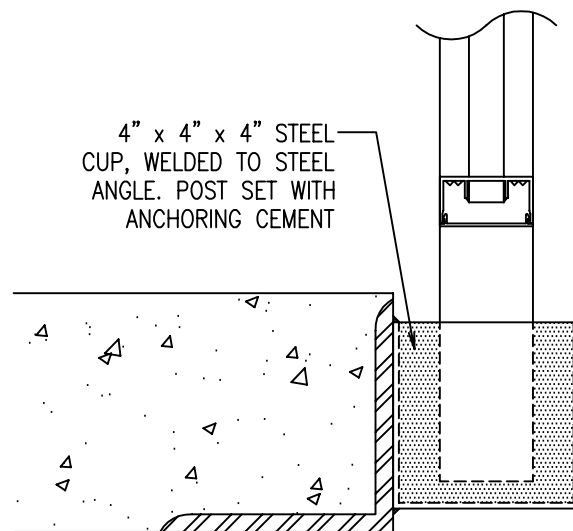
ALUM SHOE BASE



ALUM BASE PLATE



ANCHORED INSIDE POST



STEEL CUP

RAIL MOUNTING DETAILS

Architectural Railings & Grilles, Inc.

1923-B South Boulevard

Charlotte, NC 28203

Phone 704-365-5152

Fax 704-373-2995

www.aluminum-rails.com