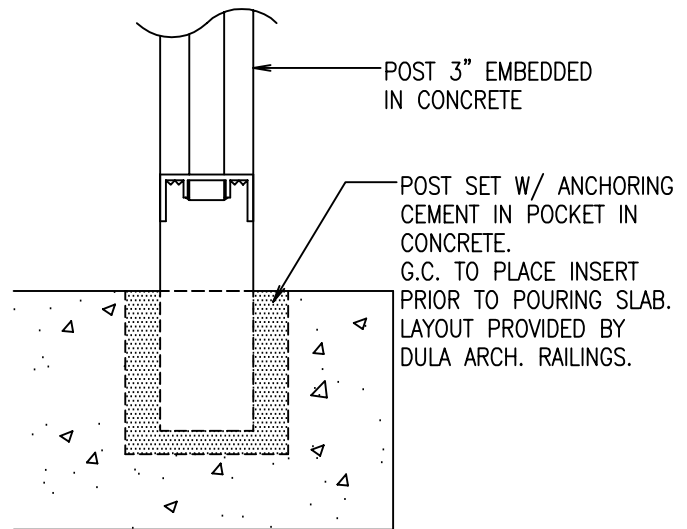
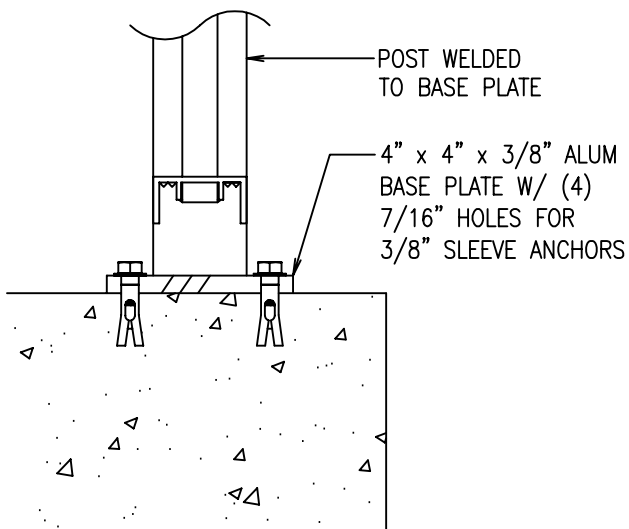


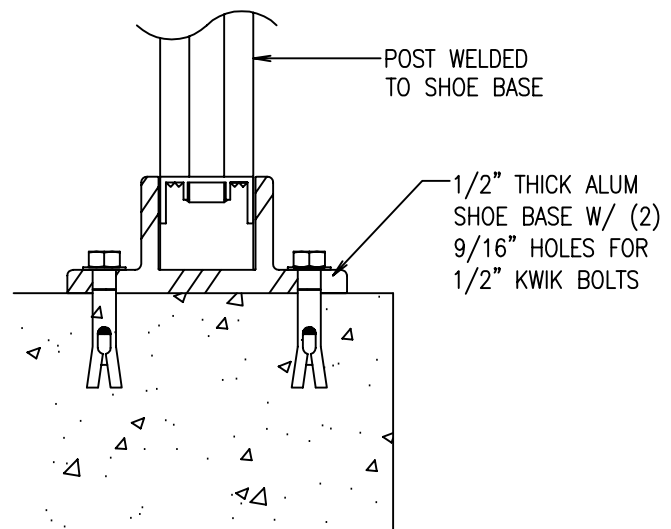
CORE DRILLED HOLE



STYROFOAM INSERT



ALUM BASE PLATE



ALUM SHOE BASE

RAIL MOUNTING DETAILS

Architectural Railings & Grilles, Inc.

1923-B South Boulevard

Charlotte, NC 28203

Phone 704-365-5152

Fax 704-373-2995

www.aluminum-rails.com