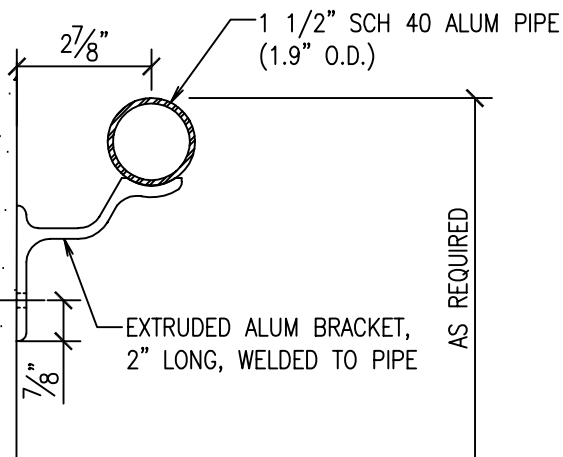


RAIL CATEGORY:
ADA RAIL

RAIL SHOWN:
WALL MOUNTED
STANDARD BRACKET

DRAWING FILE:
WALLRAIL



Architectural Railings & Grilles, Inc.
1923-B South Boulevard
Charlotte, NC 28203
Phone 704-365-5152
Fax 704-373-2995
www.aluminum-rails.com